

INNOVATION LEADS TO VALUE



SUNWARD

# SWE365E LARGE-EXCAVATOR

◆ Total weight:36.8t

◆ Engine power:190.3kW/2000rpm

◆ Bucket capacity:1.6~1.8m<sup>3</sup>



◆ Famous power

Internationally recognized brand Isuzu engine is used with good oil adaptability and easy maintenance.

◆ High efficiency

High-efficiency and energy-saving hydraulic system configuration; matching technology with independent intellectual property rights.

◆ Reliable and durable

Heavy-duty 6.5m moving arm + heavy-duty 2.9m bucket bar with good reliability.

It comes standard with 1.8 square double-curved rock bucket, which has more digging power in the same tonnage.

◆ Lower vehicle assembly is upgraded

The traveling frame is raised and double pallet support is used; and the lower vehicle sealing plate is installed with 800mm wide tracks.

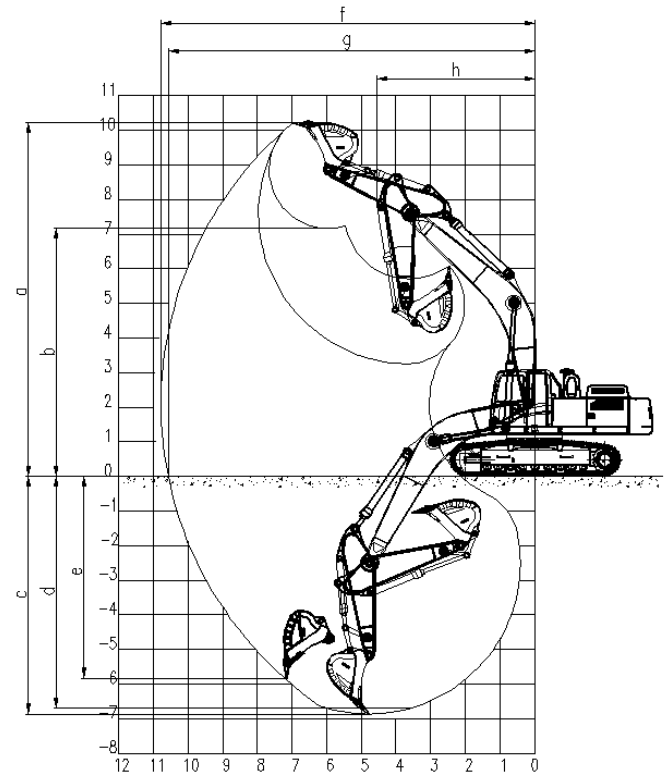
Slewing support and scraper plate are optimized and upgraded for better adaptation to sediment operation.

A number of issues such as after-sales and maintenance are optimized, and a one-piece welded crash edge beam is fitted as standard.



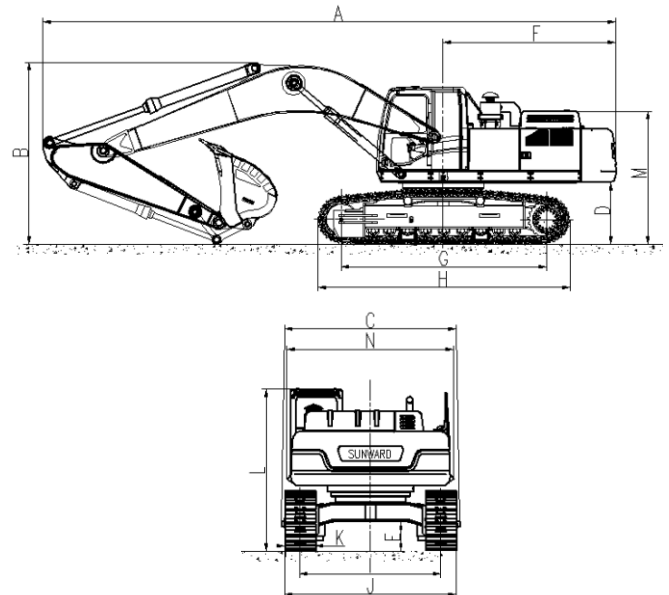
### Parameters and performance of the main machine

Weight of whole machine	t	36.8	
Standard bucket capacity	m <sup>3</sup>	1.6-1.8	
Digging force of bucket	kN	253	
Digging force of arm	kN	198	
Max. traction	kN	307	
Traveling speed(Max/Min)	km/h	5.8/3.6	
Gradeability	°	35	
Ground pressure	kPa	67.1	
Slewing speed	rpm	9.1	
Engine	Brand	ISUZU	
	Model	AA-6HK1XQP	
	Type	DI, 4-stroke, water-cooled, full-wheel supercharging	
	Displacement	L	7.79
	Power/rpm	kw/rpm	190.3/2000
Fuel tank capacity	L	650	
Primary pump	Type	2 x piston variable pump	
	Flow rate	L/min	2×324
Pressure of main relief valve	MPa	34.3	
Hydraulic oil tank capacity	L	320	



### Working range

	Boom length	mm	6500
	Arm length	mm	2900
a	Max. digging height	mm	10390
b	Max. dumping height	mm	7310
c	Max. digging depth	mm	7095
d	Digging depth (2.44m; horizontal)	mm	6925
e	Max. vertical digging depth	mm	5825
f	Max. digging radius	mm	10940
g	Max. digging reach at ground level	mm	10725
h	Min. front slewing radius	mm	4460



### Outline dimension

A	Total length	mm	11300	H	Total track length	mm	4940
B	Total height	mm	3650	I	Track distance	mm	2590
C	Total width	mm	3190	J	Track width	mm	3190
D	Ground clearance of platform	mm	1200	K	Width of track link	mm	600
E	Chassis ground clearance	mm	537	L	Cab roof height	mm	3210
F	Platform tail slewing radius	mm	3580	N	Upper-structure width	mm	3110
G	Wheel tread	mm	4025				

★ The above parameters may be different due to product upgrading.

